

Beautyrest
BLACK®

OWNER'S MANUAL



Luxury Base

Actual product appearance and functionality may vary from photographs, illustrations and descriptions included in this manual.

table of contents

Safety Precautions and Usage Statements	1-4
Parts List	5
Base Overview / Quick Reference Guide	6-7
Installation Guide	8-9
Remote Control	10-11
Remote Control - Preset Programming	12
Remote Control Pairing	13
Syncing Two Bases	14
Power Down Box	15
Connecting Straps	16
Headboard Brackets	17
Troubleshooting	18
Español	19-24
Notes	25-32

safety precautions and usage statements

Attention: Important Safety Disclaimers

Read all instructions before using your adjustable base. Save these instructions.

WARNING

Always unplug the base from the electrical outlet before servicing any part of the base. To reduce risk of electric shock, unplug the base before cleaning. To safely disconnect, ensure the base is in a flat position with all motors off, and unplug from power source.

SAFETY:

TO REDUCE THE RISK OF SHOCK, BURNS, FIRE OR INJURY:

For optimal safety and operation, plug bed base into a surge protector (not included). The bed base should only be plugged directly into a wall outlet or surge protector (strongly recommended). Always unplug the base from the electrical outlet before servicing any part of the base. To reduce risk of electric shock, unplug the base before cleaning. To safely disconnect, ensure the base is in a flat position with all motors off, and unplug from power source. Keep the power cord away from heated surfaces. Never operate the base when the air openings are blocked. Keep air openings free of lint, hair and the like. Do not drop or insert any object into any opening. Discontinue use of the bed base and contact a qualified service center if: it has a damaged cord or plug, if it is not working properly, or it has been dropped into water. Only use this bed base for its intended use as described in this manual. Do not use accessories/ attachments that are not recommended by the manufacturer. Close supervision is required when the bed base is used by or near children, convalescents, disabled persons or pets. Improper connection of the equipment can result in the risk of electrical shock, electrical fire or faulty operation of this bed base. If the plug does not fit your outlet, contact a qualified electrician to install a suitable

outlet. Unauthorized modification or failure to use a wall outlet or surge protector could void the electrical portion of your warranty.

WARNING

- Keep bed in a flat position when not in use.
- Stay clear of moving parts while in motion.
- Before adjusting, make sure children and pets are clear of moving parts and are not under bed base.
- Do not allow children to operate bed base without adult supervision

PETS AND CHILDREN:

Immediately dispose of all packing materials as it may pose a smothering risk to small children and pets. To avoid injury, it is not advised to allow children and small pets to play on or under the bed. Children should not operate the bed base without adult supervision.

PACEMAKERS:

Some products contain Neodymium MAGNETS which may interfere with devices such as pacemakers, ICD's and any other device sensitive to magnetic fields. It is **STRONGLY** recommended that owners of such medical devices consult their physician prior to using products that contain Neodymium MAGNETS. It is also possible that some pacemakers may falsely interpret the optional massage feature vibrations as movement/exercise. This is a common occurrence with any product that creates a vibrating movement and may not affect the pacemaker. Please consult your physician before using the massage feature.

safety precautions and usage statements

WARNING

For optimal safety and operation, plug bed base into a surge protector (not included). The bed base should only be plugged directly into a grounded wall outlet or surge protector (strongly recommended). Improper connection of the equipment can result in the risk of electrical shock, electrical fire or faulty operation of this bed base. If the plug does not fit your outlet, contact a qualified Electrician to install a suitable outlet.

IN-HOME USE AND HOSPITAL STANDARDS:

Ergomotion adjustable bed bases are designed solely for in-home use. This base was not designed as a hospital bed and is not designed to meet hospital standards. Do not use this base with TENT TYPE oxygen therapy equipment or near explosive gases.

ADDITIONAL SAFETY FEATURES

Casters (optional leg accessory) are equipped with locking wheels to prevent unwanted movement. Even when locked and unable to roll, it is possible for the casters to slide. Free release head and foot motors are designed to lower the mattress by retracting only with gravity, never pulling downwards, which minimizes pinch points.

ACOUSTICS

LIFTING/LOWERING MECHANISMS

The lift/lower feature will emit a minimal humming sound during operation. This is normal. During operation, the lift arm wheels make contact with the platform support of the base. This contact may result in metal on metal or metal on plastic contact. This applies slight tension on the moving components and resonance is reduced to a minimum level. If excessive noise or vibration is experienced, reverse the movement action (up or down) of the base with the remote control. This should realign the base's activating mechanisms to the proper operational

position. In normal base operation, the wheels which allow the bed to maintain its distance from the wall, will make contact with the steel platform supports of the base creating a contact noise. When entering, exiting or shifting weight on the base, this contact noise may be audible as the wheels make contact. This is normal.

MATERIALS

Ergomotion adjustable bases are constructed from various materials including woods, metals, plastics and fabrics. Tension, pressure or movement applied to the frame, platform or shroud through general use may create an audible sound.

MESSAGE OPERATION AND LOCATION ENVIRONMENT

The massage feature will emit a tone during operation. This is normal. As the massage intensity level is increased, the tone will intensify. The volume of this tone is directly related to the location environment. For example, when demonstrated in a show room, the surrounding environmental noise will cover some of the massage noise. However, when installed in a home setting with wooden floors, carpeted or not, the massage volume will be more noticeable. To minimize this resonance, place a piece of carpet, or rubber caster cups, under each leg or caster of the base. It is possible to experience vibration or noise from the exterior bed frame, headboard brackets, headboards or footboards if mounting bolts are not firmly tightened.

Levels 1-6 of massage intensity represent the revolutions of the motor per minute. Level 6 provides the maximum number of RPMs. However, this does not mean that the feeling of vibration is the strongest. Depending on the mattress material, thickness, and positioning of the user, the feeling of vibrations will differ. We encourage the user to find the massage intensity setting that suits them best. It is important to understand the physics of vibrations. Just as an engine may run rough during idle, as the RPMs increase, the vibrations change concurrently.

TOLERANCE

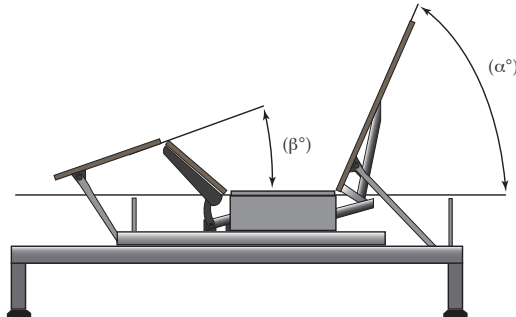
All Ergomotion adjustable foundations, depending on make and model, are

safety precautions and usage statements

designed and manufactured to perform and function within designated quality control parameters. Bases are subject to meticulous and rigorous inspections during the quality control process to ensure bases will operate within these standards during normal operating use. Normal operating use is defined as the following: Adjustable foundation is to be operated with a mattress and load. Testing procedures require lifetime cycle tests with up to 120kg distributed load. The angle (designated “a” in figure 1) between the back section and the flat section for various configurations of the mattress support platform shall be $\pm 3^\circ$, which translates to a tolerance of up to $1\frac{1}{2}^\circ$.

The angle (designated “B” in figure 1) between the flat section and foot section for various configurations of the mattress support platform shall be $\pm 3^\circ$, which translates to a tolerance of up to $\frac{3}{4}^\circ$.

Any adjustable foundation deemed to be within these allocated tolerances is considered to have met the manufacturer’s quality control standards.



THAT “NEW PRODUCT” SMELL:

Some people notice a slight odor to their new adjustable base—this can come from our material manufacturing process. This smell is normal and usually disappears before the product reaches you. Sometimes, however, this smell may still be noticeable. It usually disappears after a few weeks, providing adequate ventilation of the product and the environment.

BREAK IN PERIOD:

You can speed up the break-in period by simply spending time in the adjustable bed through activities such as reading, watching TV or playing with the kids or

grandkids. The extra movement will help the adjustable base respond to weight and temperature changes. Some of the materials in our adjustable bases such as the woods, metals and plastics used in the platform, frame and components are sensitive to moisture content and temperature and may make sounds in colder environments.

PAIRED OPERATION:

When operating a “paired” split base setup there may be a time latency up to 1.5 seconds between each bases articulation.

WEAR AND TEAR:

Wear and tear is damage that naturally and inevitably occurs as a result of normal use or aging.

FABRIC CARE:

To prolong the life of your fabric, protect from direct sunlight whenever possible. For spot cleaning, wipe area with a light damp sponge or vacuum with a soft brush attachment to remove particles. Keep at a minimum of 30cm (12 inches) away from direct heat sources. For a deeper cleaning, blot liquid spills with a clean dry cloth. Wipe with a clean cloth dampened with warm water. Do not wet excessively. A soft bristle brush may be used to remove ingrained soil. Avoid scratching by gentle brushing. Wipe with a clean cloth dampened with warm water to remove residues. Dry in shade away from direct heat. If persistent marks remain visible after cleaning, seek professional advice.

PRODUCT RATINGS:

The lift motors are not designed to operate continuously for more than [2] minutes in an [18] minute time period or approximately 10% duty cycle. Attempting to circumvent or exceed this rating will shorten the life expectancy of the product and may void the warranty. The massage motors are not designed to operate continuously for more than 30 minutes at a time. Please allow the massaging system to rest for 30 minutes after automatic massage shut off before

safety precautions and usage statements

restarting.

WEIGHT LIMITS:

This product is not rated to support weights exceeding 850 pounds. This product is not rated to support weights in excess of 850 pounds inclusive of the mattress and bedding. The base will structurally support this weight, provided it is evenly distributed across the bed base. The adjustable base is not designed to support or lift this amount in the head or foot sections alone. Exceeding this weight restriction could damage the bed and/or cause injury and will void the warranty.

IMPORTANT DO'S AND DON'TS

DO:

- Plug your adjustable base into a power surge protector.
- Evenly distribute weight when sleeping in a split setup. Uneven distribution of weight can cause the base to raise unevenly.
- Call Customer Service for any technical issues. Do not try to force the base down, this can damage the motors or frame.
- Use mild soap and water to clean your adjustable base if staining occurs.
- Keep in mind that adjustable bases are recommended to be used with adjustable friendly mattresses
- Lower to the flat (horizontal) position after use and in between presets.
- Register your warranty as soon as your adjustable base has been delivered.

DON'T

- Sit on corners/edges of base, this may warp the frame, struts or foam.
- Tilt the base on its side. This can damage the legs and/or leg screws.
- Stand or jump on the adjustable base at any time, this can damage the frame and motors.
- Drag the base to move it. Dragging the base could damage the frame, strip the nut/bolts or break the legs. Purchase castors if you plan on moving your base routinely.
- Enter and exit the adjustable base with the head and/or foot in the articulated position. Enter or exit your adjustable in the flat (horizontal) position.

- Tinker with or modify base. This will void the warranty.
- Press down on the head or foot while actuated can damage frame and motors.

FCC Compliance:

This device complies with part 15 of the FCC Rules. Operation is subject to the following two conditions: (1) This device may not cause harmful interference, and (2) this device must accept any interference received, including interference that may cause undesired operation.

To comply with the FCC RF exposure requirements, no change to the antenna or the device is permitted. Any change to the antenna or the device could result in the device exceeding the RF exposure requirement and void user's right to operate the device.

Radio Frequency: 2.4 GHz

SAVE THESE INSTRUCTIONS.

parts list

Before discarding the packing materials, ensure all the parts are accounted for.

All electronics and components that need to be installed are located in boxes under the base or attached to the frame.
(Remote varies based on model.)

- A) Wireless Remote Control and (3) AAA Batteries
- B) Legs
- C) Mattress Retainer Bar *
- D) Power Cord
- E) Power Supply
- F) Battery Backup Strip (9 volt batteries not included)
- G) Sync-Cord †
- H) Connecting Strap †*
- I) Manual
- J) Warranty Card
- K) Quick Start Guide
- L) Divided King Quick Start Guide

Misc. Parts (not included):

- Surge Protector
- 9 Volt Batteries

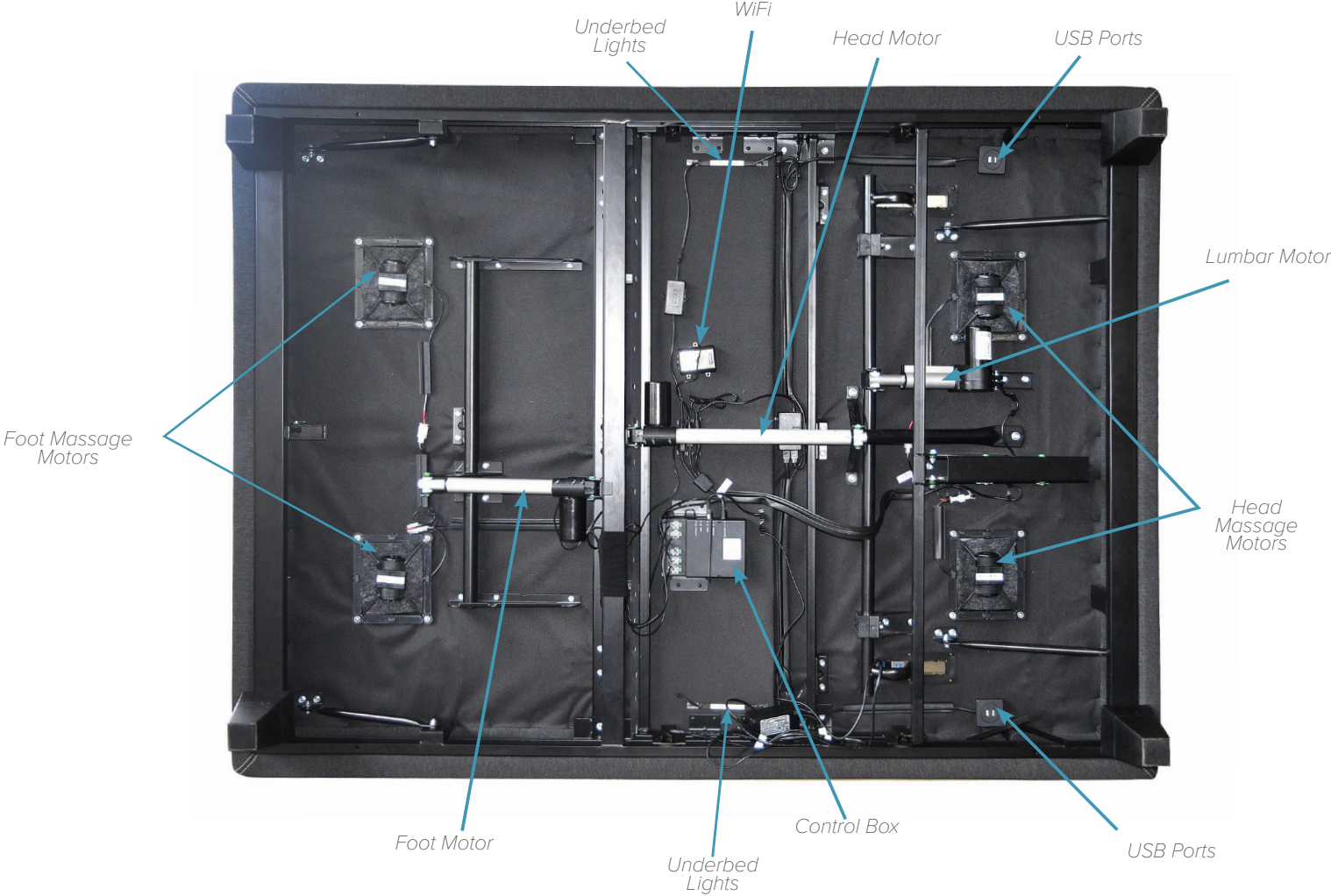
* These items are attached to the base for shipping purposes. Carefully remove from base and set aside.

† Only included in Twin Long and Cal King Split bases.

A) 	B)* 	C) 
D) 	E) 	F) 
G)† 	H)† 	
I) 	J) 	K) 
L) 		

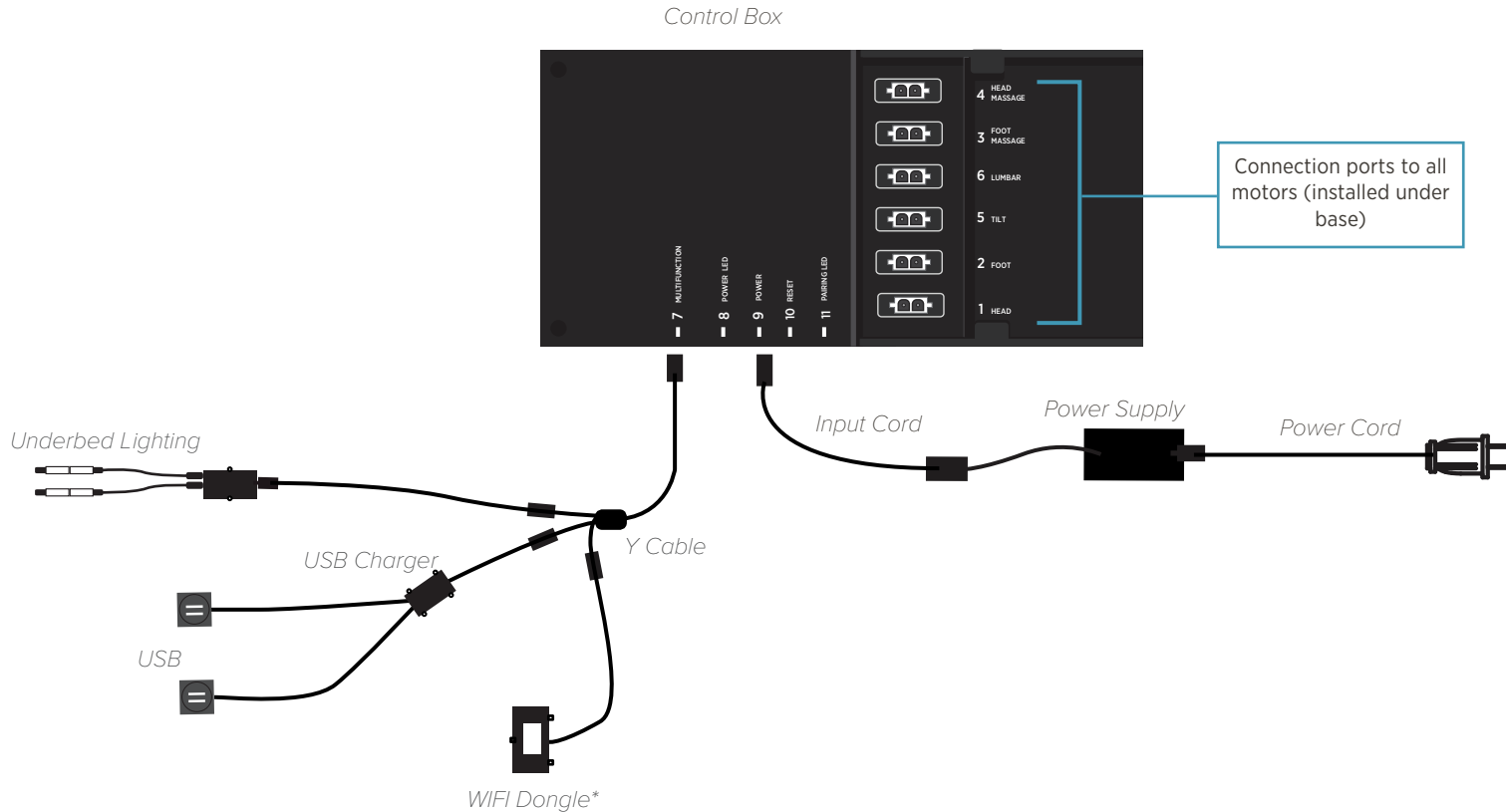
For Divided King parts and setup instructions, please refer to the Divided King Quick Setup Guide.

base overview



quick reference guide

Not to scale. For illustration purposes only. Read all instructions before beginning installation.



*** For instructions on how to pair your base with and Alexa device, please see the Alexa Setup Guide.**

installation guide

Always use two people when setting up the base.

If installing a Divided King base, please refer to the Divided King Quick Setup Guide.

STEP 1

Place the bed base box in a desired location with the top of the box facing up.

Remove the binding straps and packing materials, making sure not to puncture the box with any sharp objects.

STEP 2

Remove the bed base from the box keeping the bottom of the base facing upwards.

STEP 3

To install Headboard Brackets (sold separately) see instructions on page 18.

To install the legs, thread the washer over the screw on the leg. Next, screw the leg into the nutsert on the frame. **Do not over tighten.**



The legs untwist into separate sections for custom leg height options.

STEP 4

To sync two bases see detailed installation instructions on page 14.

Locate the power down box and set it aside. Be sure that it is accessible after the base is set up.

STEP 5

Uncoil input Power Cord (connected to Control Box's power port) and plug into Power Supply.



STEP 6

Uncoil the Power Cord and connect to the Power Supply. Place Power Supply on the ground and extend from the base. Ensure that the Power Supply and all attached cords are directed toward the desired surge protector.



installation guide

STEP 7

Carefully flip the base over. Important: Two people are required to move the bed base. Do not drag across the floor. Do not rest frame on its side, excessive pressure may damage the legs.

STEP 8

Plug the power cord into a power source.

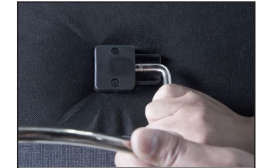
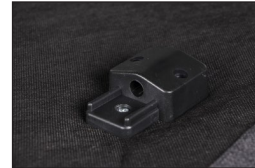
A surge protector is recommended.

STEP 9

Quickly test remote functions to verify proper setup before placing mattress on base. Return the base to a flat position before placing the mattress on top.

STEP 10

Install mattress retainer bars by inserting both ends of mattress retainers bar into holes on the platform and laying the bars down with curved side facing up.



Setup is now complete! Test all functions on remote.

For instructions on how to pair your base with an Alexa device, please see the Alexa Setup Guide.

remote control

Remote Control arrives paired to the adjustable base.
Three (3) AAA batteries are required to operate the remote.

MESSAGE FEATURE



The HEAD button will turn on the head massage. Cycle through 6 massage intensities.



The FOOT button will turn on the foot massage. Cycle through 6 massage intensities.



The MESSAGE ALL OFF button will turn off massage.



remote control

ADJUST



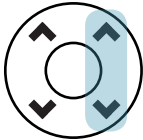
Lumbar Support UP -
Increases the level of lumbar support



Lumbar Support DOWN
- Decreases the level of lumbar support



The HEAD ▲ ▼ arrows lift and lower the head section of the base.



The FOOT ▲ ▼ arrows lift and lower the foot section of the base.



One touch FLAT preset position.



ONE TOUCH BUTTONS



Preset Position #1



Preset Position #2



Anti-Snore Preset Position



One touch ZERO-G preset position. Zero-G adjusts your legs to a higher level than your heart helping to relieve pressure off the lower back and promote circulation.



Use to turn the Underbed Lighting ON/OFF



remote control - preset programming

The programmable feature allows you to save custom positions.
Please read all the instructions below before setting your custom presets on the remote.

STEP 1

Articulate the head and foot to your desired position.

STEP 2

Press and hold one of the preset buttons [I and II] for 7 seconds.

Position is now saved.

NOTE: To restore the preset buttons back to their original factory settings, hold **FLAT** and **ZERO-G** simultaneously for at least 10 seconds. The original presets will be restored.



To adjust the saved position, repeat steps 1 and 2 and the new position will be stored.

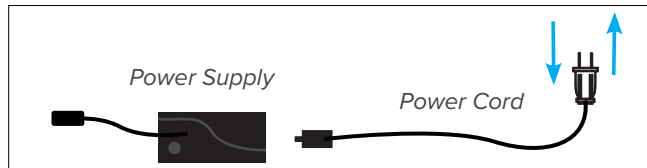
remote control pairing

Remote Pairing

The original remote that comes in the box is already paired to the adjustable base. No further action is required. In the event that the remote is not paired with the base, follow the steps below.

STEP 1

Unplug the Power Cord from your power outlet. Wait 1 minute, then plug it back in to your power outlet. Perform Step 2 within 10 seconds, while the control box light is flashing.



STEP 2

Press and hold the PAIR button on the back of the remote. The PAIR button will illuminate and start to flash. When the PAIR button stops flashing, the LED light on the control box will stop flashing. Release the PAIR button.



STEP 3

The remote is now paired to the adjustable base. Test all remote functions. If the remote buttons do not impact the adjustable base movements, please repeat the process again.

syncing two bases (optional)

A Sync Cord is included with the base. Not available on Queen, Full or Full-Long size bases.

The Sync Cord connects two control boxes to a single remote for the synchronization of two bases.

This process is most commonly used for syncing two connected TXL bases.

STEP 1

Unplug bases from power source.

STEP 2

Connect the male ends of the sync cord to the Multifuction port of each control box.

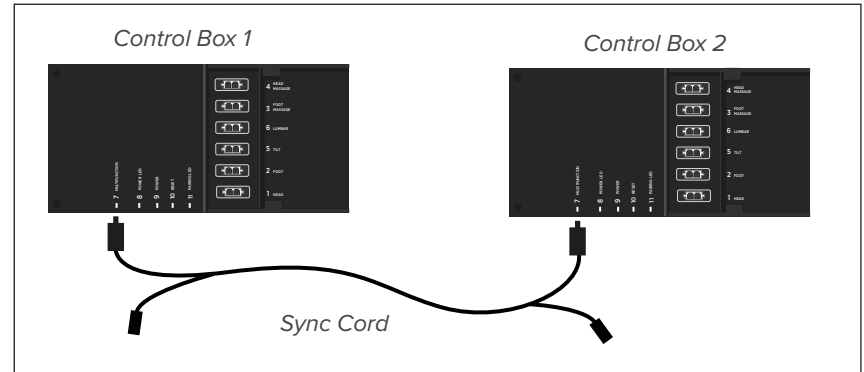
STEP 3

Plug bases back into the power source.

STEP 6

Check to ensure all cords are securely attached. Both remotes will now operate both bases simultaneously.

The system is now linked. Buttons pressed on either remote will control both bases simultaneously.



PERFORMANCE NOTES

If bases become mismatched, pressing the FLAT button will re-sync the mechanical positions.

Emergency Battery Backup

For emergency use only, in case of a power outage.

Batteries are not to be used for normal operation of the bed.

STEP 1

Disconnect the Power Supply from the input power cord.

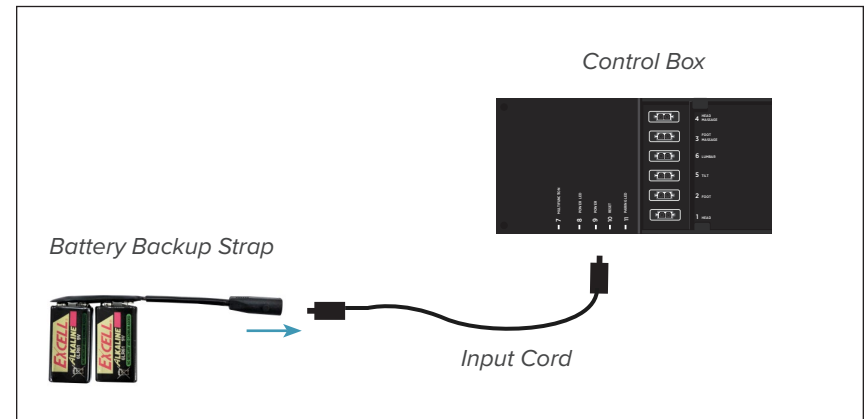
STEP 2

Connect the Battery Backup Strap to the (2) Alkaline 9 Volt batteries. Do not mix brand name Batteries.



STEP 3

Connect the end of the Battery Backup Strap to the input power cord that is attached to the control box.



Note: Detach the Battery Backup Strap after the emergency is over, as the system will continue to draw power from the batteries even if not in use.

connecting strap (optional)

Connecting straps are secured to the base frame upon delivery.

Legs are required for the installation of the connecting straps.

STEP 1

With the bases in their desired location, slightly loosen both legs to allow the strap to fit on the leg bolt, between the leg washer and frame.



STEP 2

Slide side (a) of the connecting strap onto leg bolt. Swing the strap and connect side (b) to the leg bolt. Secure the strap by shifting to the left.



STEP 3

Re-tighten legs. Do not over tighten. Use the remaining strap and repeat on other end of the base.

headboard bracket installation guide (optional)

Headboard Brackets are optional accessories and are not included.

A 9/16" (14 mm) & 1/2" (13 mm) socket or wrench and legs are necessary to complete installation.

STEP 1

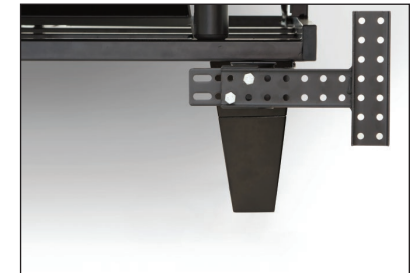
- a.) Align the hole in the bracket to the brass sleeve into which the leg threads. Hold the bracket in place and screw the leg into the base until it is snug. **DO NOT OVERTIGHTEN.** Too much force may cause the leg to spin freely.
- b.) Align the tab with the hole in the frame (located towards the foot of the base) and use a short bolt and nut to secure the bracket. Make sure the bolt is tight.



STEP 2

Attach the plastic spacer and T-Bracket.

- a.) Measure the distance between the mounting holes on the headboard and install the spacer and attachment plate to accommodate the headboard.
- b.) To install the plastic spacer and attachment plate, you will need (2) long bolts and (2) nuts. Place the spacer and attachment plate in the desired location and slip the bolts through the holes with the head of the bolt facing outward. Position the bolts diagonally on the spacer. Use the 9/16" (14 mm) socket and wrench to tighten the bolts.



STEP 3

You may now connect your headboard to the attachment plates using the remaining short bolts and nuts to secure it to the brackets. The heads of the bolts will face outward. Use a 9/16" (14mm) socket and 1/2" (13mm) wrench to tighten the bolts.

troubleshooting

- Check under the bed base to verify that the wired connections are secure and that there are no cords or bedding obstructing the movement of the base.
- Check to ensure the green LED light is illuminated on the control box. If there is no light, verify that the input and power cords are properly connected.
- Unplug the base for 1 hour to reset the electronic components.
- Plug bed base into a different electrical outlet, or test current outlet with another working appliance (a grounded, electrical surge protector is recommended).
- Remove and replace full batteries in the remote control and re-pair the remote to the base (see page 13).

If issue is not resolved by following the instructions above, locate serial number on warranty card or back of remote and call

Ergomotion Customer Service: (888) 550-3746

Pg. 1-4 - Sobre las precauciones y el uso: Atención: Restricciones importantes sobre la seguridad Lea todas las instrucciones antes de usar su base ajustable. Guarde estas instrucciones.

ADVERTENCIA

- Mantenga la cama en posición plana cuando no esté en uso.
- Manténgase alejado de las piezas móviles mientras está en movimiento.
- Antes de ajustar , asegúrese de que los niños y las mascotas estén alejadas de las partes móviles y no están bajo somier antes de ajustar.
- No permita que los niños operen base de la cama y sin supervisión de un adulto.

SEGURIDAD

PARA REDUCIR EL RIESGO DE DESCARGA, QUEMADURAS, INCENDIO O LESIONES:

Para una óptima seguridad y operación, conecte el enchufe de la cama ajustable a un protector contra sobretensiones (no incluido). La base de la cama sólo debe de estar conectado directamente a una toma de corriente o protector contra sobretensiones (muy recomendable). Desenchufe siempre la base de la toma eléctrica antes de reparar cualquier parte de la base. Para reducir el riesgo de descarga eléctrica, desconecte la base antes de limpiarla. Para desconectar de forma segura, asegúrese que la base está en una posición plana con todos los motores apagados, y desenchufe la fuente de energía. Mantenga el cable eléctrico alejado de superficies calientes. Nunca opere la base cuando las aberturas de aire están bloqueadas. Mantenga las aberturas libres de pelusas, cabellos y similares. No deje caer o inserte ningún objeto en ninguna abertura. Suspense el uso de la base y póngase en contacto con el centro de servicio al cliente calificado si: el cable o el enchufe están dañados, si no funciona correctamente o si le ha caído agua. Utilice esta base ajustable para el uso destinado como se describe en este manual. No utilice o agregue accesorios no recomendados por el fabricante. Se requiere una estrecha supervisión cuando la base de la cama es utilizado por o cerca de niños, convalecientes, personas con discapacidad o los animales domésticos. La conexión incorrecta del equipo puede resultar en el riesgo de descarga eléctrica, incendio eléctrico o fallas en el funcionamiento de esta base ajustable. Si el enchufe no encaja en su toma de corriente, llame a un electricista calificado para que instale una toma adecuada. La modificación o el fracaso no autorizado a utilizar una toma de corriente o protector contra sobretensiones pueden anular la parte eléctrica de la garantía.

MASCOTAS Y LOS NIÑOS:

Inmediatamente desechar los materiales de empaque, ya que puede representar un riesgo

de asfixia para los niños pequeños y las mascotas. Para evitar lesiones, no se aconseja que los niños y los animales domésticos pequeños jueguen encima o debajo de la cama. Los niños no deben funcionar la base de la cama sin supervisión de un adulto.

MARCAPASOS:

Algunos productos contienen imanes de Neodimio que pueden interferir con dispositivos como marcapasos, Cardioversor Desfibrilador implantable o cualquier otro dispositivo sensible a los campos magnéticos. Fuertemente se recomienda que los propietarios de este tipo de dispositivos médicos consulten a su médico antes de usar productos que contienen imanes de neodimio. También es posible que algunos marcapasos pueden interpretar erróneamente las vibraciones opcionales de masaje de la base como el movimiento / ejercicio. Esto es un caso común con cualquier producto que crea un movimiento de vibración y puede no afectar el marcapasos. Por favor, consulte a su médico antes de usar la función de masaje.

USO EN EL HOGAR Y NORMAS DE HOSPITAL:

Las bases ajustables de Ergomotion están diseñadas exclusivamente para el uso en el hogar. Esta base no está diseñada como una cama de hospital y no está diseñada para cumplir con las normas del hospital. No use esta base con equipo de oxigenoterapia tipo tienda o cerca de gases explosivos.

CARACTERÍSTICAS DE SEGURIDAD ADICIONALES

Ruedas (accesorio opcional para los pies de la cama) están equipados con bloqueo para evitar movimientos no deseados. Incluso cuando está bloqueado y no puede rodar, es posible que las ruedas se deslicen. Motores de cabeza y de pie con versión de liberación están diseñados para bajar el colchón retrayendo únicamente con la gravedad, nunca tirando hacia abajo, lo que minimiza los puntos de pellizco.

ACÚSTICOS

MECANISMOS DE ELEVACIÓN / DESCENSO

La función de elevación/descenso emitirá un zumbido mínimo durante el funcionamiento. Esto es normal. Durante la operación, las ruedas de los brazos de elevación hacen contacto con el soporte de la plataforma de la base. Este contacto puede resultar en metal sobre metal o metal sobre plástico. Esto aplica una ligera tensión sobre los componentes en movimiento y la resonancia se reduce a un nivel mínimo. Si se experimenta ruido o vibraciones excesivas, invertir la acción del movimiento (arriba o abajo) de la base con el control remoto. Esto debe realinear los mecanismos de activación de la base a la posición adecuada de funcionamiento. En una operación normal de la base, las ruedas, que permiten distanciamiento de la cama a la pared, se pondrán en contacto con los soportes de la plataforma de acero creando un ruido al contacto. Al entrar, salir o cambiar el peso en la base, emitirá un ruido al contacto, será el contacto de las ruedas con la base. Esto es

normal.

MATERIALES

Las bases ajustables Ergomotion están hechas de diversos materiales como maderas, metales, plásticos y telas. La tensión, presión o el movimiento aplicados a la estructura, plataforma o cubierta a través del uso general puede crear un sonido audible.

FUNCIONAMIENTO DE MASAJE Y UBICACIÓN

La función de masaje emitirá un tono durante la operación. Esto es normal. A medida que aumenta el nivel de intensidad del masaje, el tono se intensificará. El volumen de este tono está directamente relacionado con la ubicación. Por ejemplo, cuando se demostró en una sala de ventas, el ruido ambiental alrededor cubrirá algunos de los ruidos de masajes. Sin embargo, cuando se instala en un hogar con pisos de madera, suelo con alfombra o no, el volumen de masaje será más notable. Para minimizar esta resonancia, coloque un pedazo de alfombra, o almohadilla redonda de goma, debajo de cada pie o rueda de la base. Es posible experimentar vibración o ruido de la estructura exterior de la cama, soportes de cabecera, cabeceras o tablero de pie, si los tornillos de ajuste no están bien apretados.

Niveles 1-6 de la intensidad del masaje representan las revoluciones del motor por minuto. Nivel 6 proporciona el número máximo de RPMs. Sin embargo, esto no significa que la sensación de vibración es el más fuerte. Dependiendo del material del colchón, el grosor, y el posicionamiento del usuario, la sensación de vibraciones será diferente. Recomendamos a los usuarios a encontrar el ajuste de intensidad del masaje que más les convenga. Es importante entender la física de vibraciones. Al igual que un motor puede funcionar en bruto durante el reposo, como el aumento de RPM, las vibraciones cambian simultáneamente.

TOLERANCIA

Todas las bases ajustables Ergomotion, dependiendo de la marca y el modelo, están diseñados y fabricados para realizar y funcionar dentro de los parámetros de control de calidad designados. Las bases están sujetas a inspecciones minuciosas y rigurosas durante el proceso de control de calidad para asegurarse que las bases operen dentro de estas normas durante el uso normal de funcionamiento. El uso normal de funcionamiento se define como la siguiente: la base ajustable se va a operar con un colchón y la carga. Procedimientos de prueba requieren pruebas de ciclo de vida útil de hasta 120kg de carga distribuida. El ángulo (designado "a" en la figura 1) entre la parte trasera y la sección plana para diversas configuraciones de la plataforma de soporte del colchón será de $\pm 3^\circ$, que se traduce en una tolerancia de hasta $1\frac{1}{2}''$.

El ángulo (designado "b" en la figura 1) entre la sección plana y la sección de los pies para diferentes configuraciones de la plataforma de soporte del colchón será de $\pm 3^\circ$, que se traduce en una tolerancia de hasta $\frac{3}{4}''$.

Cualquier base ajustable se considerará dentro de estas tolerancias asignadas ya que ha

cumplido con los estándares de control de calidad del fabricante.

EL OLOR DEL NUEVO PRODUCTO ":

Algunas personas notan un ligero olor de su nueva base ajustable, puede provenir del material de proceso. Este olor es normal y generalmente desaparece antes de que el producto llegue a usted. A veces, sin embargo, este olor todavía puede ser notable. Por lo general desaparece después de unas semanas, siempre y cuando se proporcione una ventilación adecuada.

PERIODO DE ADAPTACION:

Puede acelerar el período de adaptación, simplemente pase tiempo en la cama ajustable haciendo actividades como leer, ver la televisión o jugar con los niños o nietos. El movimiento extra ayudará a la base ajustable a responder al peso y los cambios de temperatura. Algunos de los materiales en nuestras bases ajustables como las maderas, metales y plásticos utilizados en la plataforma, el marco y los componentes son sensibles a la humedad y la temperatura y puede emitir sonidos en ambientes más fríos.

SINCRONIZACION DE DOS CAMAS:

Cuando dos bases trabajan en conjunto, podría haber un retraso de hasta 1.5 segundos entre cada base cuando están articulando.

DESGASTE Y ROTURA:

El desgaste es el daño que se produce de forma natural e inevitablemente como resultado de un uso normal o envejecimiento.

CUIDADO DE LA TELA:

Para prolongar la vida de la tela, proteja de la luz directa del sol siempre que sea posible. Para la limpieza de manchas, limpie el área con una esponja ligeramente húmeda o aspiradora con un accesorio de cepillo suave para eliminar las partículas. Mantenga a un mínimo de 30 cm (12 pulgadas) alejado de fuentes de calor directo. Para una limpieza más profunda, como los derrames de líquidos, utilice un paño limpio y seco. Limpie con un paño limpio humedecido con agua tibia. No moje en exceso. Un cepillo de cerdas suaves se puede utilizar para eliminar la tierra arraigada. Evite raspar, haga un ligero cepillado. Limpie con un paño limpio humedecido con agua tibia para eliminar cualquier residuo. Secar a la sombra lejos del calor directo. Si marcas persistentes permanecen visibles después de la limpieza, busque asesoramiento profesional.

CLASIFICACIONES DEL PRODUCTO:

Los motores de elevación no están diseñados para funcionar de forma continua durante más de [2] minutos en un periodo de tiempo [18] minutos o aproximadamente en un ciclo de trabajo del 10%. El evitar o exceder esta valoración acortará la vida útil del producto y puede anular la garantía. Los motores de masaje no están diseñados para funcionar de forma continua durante más de 30 minutos a la vez. Por favor, deje que el sistema de masaje

descanse 30 minutos después de que el masaje se haya apagado automáticamente antes de reiniciar.

LÍMITES DE PESO:

Este producto no está clasificado para soportar un peso que exceda 850 libras (o) 650 libras. Este producto no está evaluado para soportar pesos de más de 850 libras (o) 650 libras incluyendo el colchón y ropa de cama. La base soportara estructuralmente el peso, siempre y cuando el peso se distribuya de manera uniforme en toda la base de la cama. La base ajustable no está diseñada para levantar o sostener esta cantidad por si sola en la sección de cabeza o los pies. Exceder esta restricción de peso podría dañar la cama y / o causar lesiones y anulará la garantía.

IMPORTANTE LO QUE SE DEBE HACER Y NO HACER

HACER:

- Conecte su base ajustable a un protector de sobretensión.
- Distribuya uniformemente el peso al dormir en una sincronización de dos camas. La distribución desigual de peso puede hacer que la base eleve de manera dispareja.
- Llame a Servicio al Cliente para cualquier problema técnico. No trate de forzar la base hacia abajo, esto puede dañar los motores o el marco.
- Use jabón suave y agua para limpiar su base ajustable si hay manchas.
- Tenga en cuenta que con las bases ajustables se recomienda utilizar colchones aptos para bases ajustables
- Después de su uso y en medio de pre ajustes, baje a la posición plana (horizontal).
- Registre su garantía en cuanto se le haya entregado su base ajustable.

NO HACER:

- Sentarse en las esquinas/bordes de la base, esto puede deformar el chasis, travesaños o espuma.
- Inclinar la base de lado. Esto puede dañar las piernas y/o tornillos de la pierna.
- Pararse o saltar sobre la base ajustable en cualquier momento, esto puede dañar el marco y motores.
- Arrastrar la base para moverla. Arrastrando la base podría dañar el marco, despojar las tuercas/tornillos o romper las piernas. Se recomienda compra ruedas si usted planea mover su base regularmente.
- Entrar y salir de la base ajustable con la cabeza y / o el pie en la posición articulada. Entre o salga de su cama ajustable en la posición plana (horizontal).
- Alterar con o modificar la base. Esto anulará la garantía.
- Presionar hacia abajo, en la cabeza o el pie, mientras los motores están funcionando puede dañar el marco y motores.

GUARDE ESTAS INSTRUCCIONES.

Cumplimiento con la FCC: Este dispositivo cumple con la Parte 15 de las Regulaciones de la Comisión Federal de Comunicaciones (FCC, en inglés). Su funcionamiento está sujeto a las dos condiciones siguientes: 1) Este dispositivo no puede causar ninguna interferencia perjudicial y 2) Este dispositivo deberá aceptar cualquier interferencia recibida, incluso si la interferencia causara un funcionamiento indeseado. Para cumplir los requerimientos sobre exposición humana a la radiofrecuencia (RF) de la FCC, no se permite ningún cambio en la antena o dispositivo. Cualquier cambio en la antena o dispositivo puede provocar que el dispositivo exceda el requerimiento de exposición a la RF y quede anulado el derecho del usuario de operar el dispositivo.

Radiofrecuencia: 2.4 GHz

Pg. 5 - Componentes: Antes de eliminar los materiales de empaque, verifique que tiene todos los componentes.

Todas las partes electrónicas y los componentes que necesitan instalarse están en cajas debajo de la base o adheridos al marco.

- A) Control remoto inalámbrico y (3) pilas triple A.
- B) Barra de retención del colchón
- C) Cable eléctrico
- D) Fuente de energía
- E) Generador de corriente *
- F) Correa de conexión* †
- G) Cable SmartSync™ (1) †
- I) Manual
- J) Garantía
- K) Guía de instalación rápida
- L) Guía de instalación rápida Divided King

Misceláneos (no incluidos):

- Protector de sobrecargas
- Pilas de 9 voltios (2)

* Estos componentes están adheridos a la base sólo para el envío. Retírelos con cuidado de la base y sepárelos.

† Sólo se incluyen con las siguientes bases: individual, individual larga y Cal King dividida.

Pg. 6 - Resumen sobre la base (Las agujas del reloj desde la parte superior)

Foot motor = **Motor de los pies**

Head motor = **Motor de la cabecera**

Control Box = **Caja de control**

Power Supply = **Fuente de energía**

Power Down Box = **Generador de corriente**

Head Massage = **Motor de masaje de la cabecera**

Foot Massage = **Motor de masaje de los pies**

USB Ports = **Puertos USB**

Turn on head massage = **Gire el masaje de la cabeza**

Turn on foot massage = **Activar el masaje de pies**

Turn on head and foot massage = **Encender masajes de cabecera y pies**

Turn off massage = **Desactive masajes**

Lifts and lowers foot = **Elevar y bajar los pies**

Lifts and lowers head = **Elevar y bajar la cabecera**

Flat preset position = **Posición horizontal predefinida**

Zero-G® Preset Position = **Posición de gravedad cero predefinida**

Underbed lighting = **Bajo la iluminación de la cama**

Preset Position #1= **Posición predefinida #1**

Preset Position #2= **Posición predefinida #2**

Pg. 7 - Guía de referencia rápida: No llevar a escala. Este diagrama sólo tiene el fin de ilustrar. Lea las instrucciones antes de comenzar la instalación.

Control Box = **Caja de control**

Power Cord = **Cable de electricidad**

Power Supply = **Fuente de energía**

Input Power Cord = **Cable de entrada de electricidad**

Power Down Box = **Generador de corriente**

Connection ports to head and foot motors (massage and lift). Installed under the base.

Puertos de conexión a todos los motores de la cabecera y motores de la pies (instalados debajo de la base)

Pg. 8 - Guía de instalación: Siempre use a dos personas para instalar la base.

PASO 1: Coloque la caja de la cama en un lugar deseado con la parte superior de la caja hacia arriba. Quite las cintas de seguridad y los materiales de empaque con cuidado de no perforar la caja con algún objeto afilado.

PASO 2: Saque la base de la cama de la caja, dejando la parte de abajo de la base hacia arriba.

PASO 3: Para instalar los soportes de la cabecera, vea las instrucciones detalladas en la página 24 para su instalación.

Las piernas son opcionales. Para instalar las patas, enrosque la arandela sobre el perno de la pierna con el lado rebajado hacia la pierna y apriétela manualmente.

PASO 4: Localice el cuadro de encendido y déjelo a un lado. Asegúrese de que está accesible después de configurar la base.

PASO 5: Desenganche el cable de alimentación de entrada (conectado al puerto de alimentación de la caja de control) y enchúfelo a la fuente de alimentación.

PASO 6: Desenrolle el cable de alimentación y conéctelo a la fuente de alimentación.

Coloque la fuente de alimentación en el suelo y extiéndala desde la base. Asegúrese de que la fuente de alimentación y todos los cables conectados estén dirigidos hacia el protector de sobretensión deseado.

Pg. 9 - Guía de instalación

PASO 7: Con cuidado, vuelca la base. Importante: Se requiere que dos personas muevan la base de la cama. No arrastre por el suelo. No coloque el marco sobre su lado, una presión excesiva puede dañar las patas (si se usa).

PASO 8: Conecte la base y el cable eléctrico del audio a la electricidad. Se recomienda el uso de un protector de sobrecargas.

PASO 9: Pruebe rápidamente las funciones remotas para verificar la configuración correcta antes de colocar el colchón en la base. Vuelva la base a una posición plana antes de colocar el colchón en la parte superior.

PASO 10: Instale las barras de retención del colchón insertando ambos extremos de la barra de retenedores del colchón en los orificios de la plataforma y ponga las barras hacia abajo con el lado curvado hacia arriba.

Para servicio al cliente, visite www.ergomotion.com o llame al 1-888-550-3746.

Pg. 10-11 - Control remoto: (Características del masaje)

El botón **MASAJE** activa el masaje de la cabeza y los pies al mismo tiempo. Una segunda prensa saca el masaje.

El botón **HEAD** + - activará el masaje de la cabeza. Ciclo a través de 3 intensidades del masaje.

El botón **FOOT** + - activará el masaje de los pies. Ciclo a través de 3 intensidades del masaje.

El botón **MESSAGE ALL OFF** desactivará el masaje.

(Ajustar)

Ajustes de posición de la cabeza - Utilícelo para subir y bajar la sección de la cabeza de su base ajustable.

Ajustes de posición del pie - Utilícela para subir y bajar la sección del pie de su base ajustable.

(Botones de un toque)

Un toque ZERO G posición preajustada. - Zero G® ajusta sus piernas a un nivel más alto que su corazón ayudando a aliviar la presión de la parte baja de la espalda y promover la circulación.

Botón de la cama FLAT - Presione el botón para regresar tanto la cabeza como el pie a

una posición PLANO.

Posición preestablecida # 1

Posición preestablecida # 2

Bajo la iluminación de la cama - Pulse una vez para activar la iluminación bajo la cama. Presione nuevamente para apagar.

Para activar la linterna en el control remoto, manténgala presionada durante 3 segundos.

Pg. 12 - Control remoto - programación predefinida

La función programable le permite guardar posiciones personalizadas.

Por favor, lea todas las instrucciones a continuación antes de configurar sus presets personalizados en el mando a distancia.

PASO 1: Articular la cabeza y el pie a la posición deseada.

PASO 2: Presione y mantenga presionado uno de los botones de presintonía

[I y II] durante 7 segundos. La posición se ha guardado.

Nota: Para restablecer los valores predeterminados de fábrica de los botones de presintonía, mantenga pulsados simultáneamente FLAT y ZERO-G durante al menos 10 segundos. Los ajustes preestablecidos originales se restaurarán.

Pg. 13 - Pareo del control remoto

El control remoto original que viene en la caja ya está sincronizado con la base de la cama. No necesita hacer nada.

Si el remoto no estuviera sincronizado a la base, siga los pasos siguientes:

PASO 1: Retire la tapa del control remoto. Saque las baterías y cámbielas.

PASO 2: Dé un doble clic en el botón del generador de corriente (esto no hará que la base se mueva). La luz se encenderá.

PASO 3: Presione y sostenga el botón que está detrás del remoto. La luz será intermitente hasta que se vuelva continua.

PASO 4: La luz del generador auxiliar de corriente y la luz del remoto serán continuas y luego ambas se apagarán a la vez. Sustituya la tapa del control remoto.

Ahora el remoto y la base están pareados.

Si el generador auxiliar de corriente no está disponible, presione el botón de reinicio en la caja de control. La luz LED de pareo de la caja de control comenzará a parpadear. Presione y sostenga el botón que está detrás del remoto, el cual comenzará a parpadear. Ambas luces se volverán continuas y luego se apagarán a la vez.

Pg. 14 - Sincronizar Dos Bases (opcional)

Se incluye un cable de sincronización con la base. No está disponible para las bases tamaño

Queen, Full, Full-Largo, o King Dividido. El cable de sincronización conecta las dos cajas de control a un solo control remoto para la sincronización de dos bases.

PASO 1: Desconecte las bases de los tomacorrientes.

PASO 2: Desconecte el cable de la batería de Reserva de cada Caja de Control o cable splitter. Recuerde esta desconexión.

PASO 3: Conecte el macho de cada Cable de Sincronización a la Caja de Control o cable splitter. Insértelo en el mismo puerto donde desconecto la Batería de Reserva.

PASO 4: Conecte cada conexión macho de las Baterías de Reserva a la conexión hembra del Cable de Sincronización (guíese por la imagen a la derecha).

PASO 5: Vuelva a conectar las bases a sus tomacorrientes.

PASO 6: Verifique que todos los cables estén conectados correctamente. Ahora ambos remotos controlaran las bases simultáneamente.

El sistema ahora esta sincronizado. Ahora ambos remotos funcionaran en las dos bases.

Pg. 15 - Bluetooth

Paso 1: Conecte la cama a la fuente de alimentación. Seleccione el ícono de Menú.

Paso 2: Seleccione el ícono de Menú.

Paso 3: Selecciona Bluetooth

Paso 4: Toca Seleccionar dispositivo

Paso 5: Seleccione la base deseada. Toque la flecha hacia atrás para regresar a la configuración y seleccione Remoto para regresar a la pantalla de control remoto.

Pg. 16 - Generador auxiliar de corriente: Si la base se trabara en una posición articulada durante un apagón, el generador auxiliar de corriente hará que la base regrese a la posición horizontal.

PASO 1: Desconecte la fuente de alimentación del cable de alimentación de entrada.

PASO 2: Conecte la correa de respaldo de la batería a las (2) baterías alcalinas de 9 voltios. No mezcle pilas de marca.

PASO 3: Conecte el extremo de la correa de respaldo de la batería al cable de alimentación de entrada que está conectado a la caja de control.

Nota: Desconecte la correa de la batería de respaldo después de que finalice la emergencia, ya que el sistema seguirá consumiendo energía de las baterías, incluso si no se usa.

Pg. 17 - Correa de conexión (opcional): Las correas de conexión se aseguran al bastidor base al momento de la entrega. Se requieren patas para la instalación de las correas de conexión. Se requieren patas para la instalación de los soportes de la cabecera. Para comprar piernas, comuníquese con el Servicio de Atención al Cliente de Ergomotion

llamando al (888) 550-3746.

PASO 1: Con las bases en la ubicación deseada, afloje con cuidado ambas patas para que la correa quepa en la tuerca de la pata, entre la arandela de la pata y el marco.

PASO 2: Deslice el lado (a) de la correa de conexión por la tuerca de la pata. Gire la correa y conecte el lado (b) a la tuerca de la pata. Asegure la correa moviéndola hacia la izquierda.

PASO 3: Vuelva a ajustar las patas. No apriete demasiado. Use la otra correa para repetir el paso anterior con el otro extremo de la base.

Pg. 17 - Guía de instalación del soporte de la cabecera (opcional)

Componentes del soporte de la cabecera:

K)	Soporte de la cabecera (2)
L)	Soporte en T (2)
M)	Separadores (2)
N)	Tornillos largos (8)
O)	Tornillos cortos (10)
P)	Tuercas (18)

Para completar la instalación es necesario tener un socket y una llave inglesa de 9/16" (14mm) y 1/2" (13mm).

PASO 1: a) Alinee el hueco del soporte con la manga de acero dentro de la cual se enrosca la pata. Mantenga el soporte en su lugar y enrosque la pata a la base hasta que este segura. **NO APRIETE DEMASIADO.** Si la deja demasiado ajustada, la pata se saldrá de rosca.

b) Alinee la etiqueta con el hueco del marco (ubicado hacia los pies de la base) y use un tornillo u una tuerca pequeños para asegurar el soporte. Asegúrese de ajustar bien la tuerca.

PASO 2: Fije el separador plástico y el soporte en forma de T.

a) Mida la distancia entre los huecos del montaje de la cabecera e instale el separador y la placa de ajuste para acomodar la cabecera.

b) Para instalar el separador plástico y la placa de ajuste necesitará (2) tornillos largos y (2) tuercas. Fije el separador y la placa en el lugar deseado y ajuste los tornillos en los huecos con la cabeza del tornillo hacia afuera. Ponga los tornillos diagonalmente sobre el separador. Use el socket de 9/16" (14mm) y la llave inglesa para ajustar los tornillos.

PASO 3: Ahora puede conectar su cabecera con las placas de ajuste usando los tornillos cortos y tuercas restantes para asegurarla a los soportes. Las cabezas de los tornillos deben apuntar hacia afuera. Use un socket de 9/16" (14mm) y la llave inglesa para ajustar los tornillos.

Pg. 18 - Solución de problemas

Si una o más funciones de la base de la cama han dejado de funcionar:

- Revise debajo del somier para verificar que las conexiones de cable son seguras y que no haya cables o ropa de cama obstruyendo el movimiento de la base.
- Compruebe que el LED verde se enciende en el cuadro de control. Si no hay ninguna luz, compruebe que los cables de entrada y la potencia están conectados correctamente.
- Desconecte la base durante 1 hora para reponer los componentes electrónicos.
- Plug base de la cama a una toma eléctrica diferente, o toma de corriente de prueba con otro aparato de trabajo (se recomienda un protector de sobretensión eléctrica con conexión a tierra).

Si el problema no se resuelve, siguiendo las instrucciones anteriores, busque el número de serie en la tarjeta de garantía, manual o posterior del mando a distancia y llame

Ergomotion Servicio al cliente: EE.UU. 1-888-550-3746

Pg. 1-6 - Précaution de sécurité à prendre et consignes d'utilisation

SÉCURITÉ

POUR RÉDUIRE LE RISQUE DE DÉCHARGES ÉLECTRIQUES, BRÛLURES, FEU, OU BLESSURES :

Pour l'opération et la sécurité optimales, branchez le sommier dans une barre d'alimentation contre les surtensions. Le sommier devrait seulement être branché directement dans une prise murale ou dans une barre d'alimentation contre les surtensions (fortement recommandé). Débranchez toujours de la prise avant d'assurer l'entretien de toute partie du sommier. Pour réduire le risque de décharges électriques, débranchez toujours le sommier avant de le nettoyer. Pour bien le débrancher, assurez-vous que la base se trouve en position neutre et à plat avec tous les moteurs éteints et débranchez-le de la source d'énergie. Gardez le cordon d'alimentation loin des surfaces chauffées. N'utilisez jamais le sommier quand les entrées d'air sont bloquées. Gardez les entrées d'air sans peluches, cheveux ou toute autre matière. Ne laissez tomber ni insérez aucun objet dans les ouvertures. Cessez l'emploi du sommier et contactez un centre de service qualifié si le sommier a un fil électrique ou une prise endommagé, s'il ne fonctionne pas correctement, ou s'il est tombé dans l'eau. Utilisez ce sommier seulement pour son usage prévu comme désigné dans ce manuel. N'employez pas d'accessoires ni pièces additionnelles qui ne sont pas recommandés par le fabricant. La surveillance étroite est nécessaire quand le sommier est utilisé par ou près des enfants, convalescents, personnes infirmes ou animaux domestiques. Un branchement incorrect de l'équipement peut amener un risque de décharge électrique, feu électrique ou une mauvaise utilisation de ce sommier. Si la prise du sommier n'est pas de bonne taille pour votre prise murale, contactez un électricien qualifié en faire l'installation. La modification non autorisée du sommier, la non-conformité d'une prise ou l'absence de barre d'alimentation contre les surtensions pourrait rendre nulle la section électrique de votre garantie.

ANIMAUX DOMESTIQUES ET ENFANTS :

Jetez immédiatement toutes les matières d'emballage comme elles peuvent poser un risque d'étouffement pour les jeunes enfants et animaux domestiques. Pour éviter les blessures, il est déconseillé de permettre aux enfants et petits animaux de jouer sur ou sous le lit. Les enfants ne devraient pas opérer le sommier sans la supervision d'un adulte.

STIMULATEURS CARDIAQUES :

Quelques produits contiennent les aimants Neodymium qui pourraient interférer avec des appareils tels que les stimulateurs cardiaques, les défibrillateurs

implantables et tout autre appareil sensible aux champs magnétiques. Il est **FORTEMENT** recommandé que les propriétaires de tels appareils médicaux consultent leur médecin avant d'utiliser les produits qui contiennent les aimants Neodymium. Il est aussi possible que certains stimulateurs cardiaques puissent mal interpréter les vibrations de la fonction massage comme du mouvement/de l'exercice. C'est un résultat fréquent avec tout produit qui crée un mouvement de vibration et peut également ne pas affecter le stimulateur cardiaque. Veuillez consulter votre médecin avant d'utiliser la fonction massage.

UTILISATION À DOMICILE :

Les sommiers ajustables Ergomotion sont conçus seulement pour l'utilisation à domicile. Ce sommier n'a pas été conçu comme lit d'hôpital et n'est pas conçu pour satisfaire les normes hospitalières. N'employez pas ce sommier avec de l'équipement de thérapie d'oxygène TENT TYPE ou près de gaz explosifs.

CARACTÉRISTIQUES DE SÉCURITÉ SUPPLÉMENTAIRES :

Les roulettes (accessoires de pied facultatifs) sont équipées de roues

bloquantes pour éviter le mouvement involontaire. Même lorsque verrouillées et bloquées, il est possible que les roulettes glissent. Les moteurs d'abaissement de la tête et des pieds sont conçus pour baisser le matelas, se rétractant seulement par la force de la gravité, jamais en tirant vers le bas, minimisant les points de pincement.

ACOUSTIQUE

MÉCANISMES DE LEVAGE/D'ABAISSEMENT

La fonction de levage et d'abaissement émettra un faible vrombissement lors de l'opération. Ce bruit est normal. Pendant l'opération, les roues de levage de bras entrent en contact avec le support du sommier. Ce contact peut occasionner un contact entre métaux ou entre métal et plastique, ce qui apporte une légère tension sur les composantes mobiles. La résonance est aussi réduite à un niveau minimal. Si un bruit excessif ou une vibration sont remarqués, inversez le mouvement du sommier (vers le haut ou vers le bas) avec la télécommande. Ceci devrait réaligner les mécanismes d'activation du sommier à la bonne position d'opération. Lors de l'emploi normal du sommier, les roues – qui permettent au lit d'être à une certaine distance du mur – entreront en contact avec le support du sommier en acier, ce qui créera un bruit de contact. En entrant, en sortant ou en transférant son poids sur le lit, on peut entendre ce bruit de contact des roues qui touchent le support du sommier. Ce bruit est normal.

MATÉRIAUX

Les sommiers ajustables Ergomotion sont fabriqués avec divers matériaux, y

compris du bois, des métaux, des plastiques et des tissus. La tension, la pression ou le mouvement appliqués au cadre, au support ou à la couverture lors de son utilisation générale peuvent créer un son audible.

FONCTION MASSAGE ET ENVIRONNEMENT D'EMPLACEMENT

La fonction massage émettra une alerte sonore lors de l'usage. Ce bruit est normal. Quand le niveau d'intensité du massage augmente, le son s'intensifiera. Le volume de cette alerte est directement lié à l'environnement d'emplacement. Par exemple, pendant une démonstration de fonctionnement dans une salle d'exposition, le bruit environnant couvrira une partie du bruit du massage. Par contre, lorsque le lit est installé à domicile avec un parquet, avec un tapis ou non, le volume du massage sera plus ou moins perceptible. Pour minimiser le bruit, mettez un tapis ou des feutres pour roulettes en caoutchouc en dessous de chaque pied ou roulettes du sommier. Il est possible de remarquer une vibration ou un bruit de l'extérieur du sommier, des supports de la tête de lit, des têtes de lit, ou des pieds de lit si les boulons de montage ne sont pas fermement serrés.

Les niveaux 1-6 d'intensité du massage correspondent aux révolutions du moteur par minute. Le niveau 6 donne le nombre maximum de tours par minute. Cependant, ceci ne veut pas dire que la sensation de vibration est la plus forte. Selon le matériau du matelas, l'épaisseur et la position de l'utilisateur, les sensations de vibration différeront. Nous encourageons l'utilisateur à trouver l'intensité du massage qui lui convient le mieux. Il est important de comprendre les propriétés physiques des vibrations. Un moteur seul peut fonctionner de façon irrégulière à l'arrêt, mais comme le nombre de tours par minute augmente, les vibrations changent simultanément.

TOLÉRANCE

Tous les sommiers ajustables Ergomotion, selon leur marque et modèle, sont conçus et fabriqués pour fonctionner selon des paramètres précis de contrôle de qualité. Les sommiers sont sujets aux inspections méticuleuses et rigoureuses pendant notre processus de contrôle de qualité pour nous assurer que les sommiers fonctionneront selon les normes exigées lors d'un usage normal. L'usage normal est défini tel que suit : la fondation ajustable doit être opérée avec un matelas et un poids. Les processus de test requièrent des tests de cycle de durée de vie avec un poids allant jusqu'à 120 kilos distribués équitablement. L'angle (désignée par « a » dans la figure 1) entre la section arrière et la section plate pour les diverses configurations du matelas/du support devraient être à $\pm 3^\circ$, ce qui se traduit en une tolérance de jusqu'à $1\frac{1}{2}''$.

L'angle (désigné par « B » dans la figure 1) entre la section plate et la section de pied, pour les diverses configurations du matelas et du support, devrait être à $\pm 3^\circ$,

ce qui se traduit en une tolérance de jusqu'à $1\frac{1}{2}''$.

Toute fondation ajustable jugée compatible avec ces tolérances allouées est considérée comme satisfaisante par rapport aux contrôles de qualité du fabricant.

L'ODEUR DU NOUVEAU PRODUIT

Certaines personnes remarquent une légère odeur avec leur nouveau sommier ajustable – ceci peut venir de notre processus de fabrication. Cette odeur est normale et disparaît habituellement avant que le produit ne vous parvienne. Cependant, cette odeur peut parfois encore être sentie. Normalement elle disparaît après quelques semaines avec une ventilation adéquate du produit et de l'environnement.

PÉRIODE DE RODAGE

Vous pouvez accélérer la période de rodage en passant du temps sur votre lit ajustable avec des activités telles que lire, regarder la télévision ou jouer avec les enfants ou les petits-enfants. Ce mouvement supplémentaire aidera le sommier ajustable à répondre au poids et aux changements de température. Certains des matériaux dans nos sommiers ajustables, comme les bois, les métaux, et les plastiques dans la plate-forme, le cadre et les composantes sont sensibles à la teneur d'humidité et à la température et peuvent ainsi faire de bruit dans des environnements frais.

EMPLOI EN PAIRE

Lors de l'emploi avec une installation de sommier divisée en deux, il se peut qu'il y ait un temps de latence allant jusqu'à 1,5 seconde entre les articulations de chaque sommier.

USURE NORMALE

L'usure normale correspond à l'endommagement qui arrive naturellement et inévitablement comme un résultat de l'emploi normal ou du vieillissement.

ENTRETIEN DU TISSU

Pour prolonger la vie de votre tissu, protégez-le de la lumière directe du soleil autant que possible. Pour nettoyer de petites taches, essuyez-les avec une éponge légèrement humide ou passez l'aspirateur avec un adaptateur de brosse douce pour enlever les particules. Gardez au minimum à une distance de 30 cm (12 pouces) des sources directes de chaleur. Pour nettoyer plus profondément, épongez les liquides avec un chiffon sec et propre. N'humectez pas excessivement. Une brosse en soie douce peut aussi être utilisée pour enlever les saletés incrustées. Brossez doucement pour éviter les égratignures. Essuyez avec un chiffon propre et humide avec de l'eau chaude pour enlever les résidus. Séchez à l'ombre loin de la chaleur directe. Si les tâches persistent après

le nettoyage, consultez un professionnel.

CLASSIFICATION DU PRODUIT

Les moteurs de levage ne sont pas conçus pour opérer de manière continue pour plus que [2] minutes pendant une période de [18] minutes ou environ 10 % du cycle de service. Des efforts pour circonvier ou excéder cette classification rendront plus courte l'espérance de vie du produit et pourraient annuler la garantie. Les moteurs de massage ne sont pas conçus pour opérer de manière continue pendant plus que 30 minutes à la fois. Veuillez permettre au système de massage une pause de 30 minutes après l'arrêt automatique du massage avant de recommencer.

LIMITES DE POIDS

Ce produit n'est pas classé pour soutenir des poids excédant 650 livres (295 kilos) , ce qui inclut le matelas et la literie. Le sommier soutiendra structurellement ce poids, tant qu'il est distribué également sur tout le sommier. Le sommier ajustable n'est pas conçu pour soutenir ou lever ce poids dans la section tête ou pied seulement. Excéder cette restriction de poids pourrait endommager le lit ou blesser l'utilisateur et pourrait rendre nulle la garantie.

À FAIRE ET À NE PAS FAIRE

À FAIRE

- Branchez votre sommier ajustable dans une barre d'alimentation contre les surtensions.
- Distribuez le poids de manière égale dans le cas d'une installation double. Une distribution inégale du poids peut amener le sommier à s'élever inégalement.
- Appelez le service à la clientèle pour tout problème technique. N'essayez pas de forcer le sommier à s'abaisser ; ceci pourrait endommager les moteurs ou le cadre.
- Utilisez un savon doux et de l'eau pour nettoyer votre sommier ajustable s'il est taché.
- Sachez que les sommiers ajustables sont recommandés pour être utilisés avec des matelas qui sont ajustables
- Baissez à la position neutre (horizontale) après l'emploi et entre les pré réglages.
- Inscrivez votre garantie aussitôt que votre sommier ajustable est livré.

À NE PAS FAIRE

- Ne vous asseyez pas sur les coins du sommier; ceci pourrait déformer le cadre, les supports, ou la mousse.

- Ne penchez pas le sommier sur le côté. Ceci pourrait endommager les pieds ou les boulons.
- Ne vous mettez jamais debout et ne sautez jamais sur le sommier ajustable; ceci peut endommager le cadre et les moteurs.
- Ne tirez pas sur le sommier pour le déménager. Ceci pourrait endommager le cadre, les boulons ou casser les pieds. Achetez des roulettes si vous prévoyez souvent déménager votre sommier.
- Ne montez pas sur le sommier ajustable et n'en descendez pas avec la tête ou le pied dans la position articulée; montez sur le sommier ajustable et descendez-en dans la position neutre (horizontale).
- Ne modifiez pas le sommier. Ceci annulera la garantie.
- N'appuyez pas sur la tête ni sur le pied pendant l'opération, car ceci peut endommager le cadre et les moteurs.

Déclaration de Certification FCC

Cet appareil est conforme à la Partie 15 des règles de la FCC. Le fonctionnement de cet appareil est soumis aux deux conditions suivantes: (1) l'appareil ne doit pas causer d'interférences nuisibles et (2) l'appareil doit accepter toute interférence qui pourrait causer un mauvais fonctionnement.

Interférence Radio et de la Télévision

Cet appareil a été testé et jugé conforme aux limites d'un dispositif numérique de Classe B, conformément à la Partie 15 des règles de la FCC. Ces limites sont conçues pour fournir une protection raisonnable contre les interférences nuisibles dans une installation résidentielle. Cet appareil génère, utilise et peut émettre de l'énergie radiofréquence (RF). Si l'appareil n'est pas installé et utilisé conformément aux instructions, l'appareil peut provoquer des interférences dans les communications radio. Rien ne garantit, cependant, que de telles interférences ne se produisent pas dans une installation particulière. Si cet appareil provoque des interférences nuisibles à la réception radio ou télévision (ce qui peut être déterminé en allumant et éteignant l' appareil), l'utilisateur est encouragé à essayer de corriger les interférences en prenant une ou plusieurs des mesures suivantes:

- Déplacez l' appareil
 - Augmenter la séparation entre l' appareil et le récepteur
 - Connecter l' appareil à une prise sur un circuit différent de celui des autres appareils électroniques
 - Consulter le revendeur ou un technicien radio expérimenté.
- Important: Tous changements ou modifications non expressément approuvés par

Serta Simmons Bedding, LLC («SSB») pourraient annuler la conformité EMC et vous interdire l'utilisation de cet appareil. Cet appareil a été testé pour la conformité FCC dans des conditions qui incluent l'utilisation de dispositifs périphériques SSB et câbles SSB et connecteurs entre les composants du système. Il est important que vous utilisiez les câbles et connecteurs SSB entre les composants du système pour réduire la possibilité d'interférences sur les radios, téléviseurs et autres appareils électroniques. Vous pouvez obtenir des câbles et connecteurs SSB appropriés auprès d'un revendeur SSB autorisé.

Partie responsable (contacter pour les questions de la FCC uniquement)
Serta Simmons Bedding, LLC Corporate Compliance
One Concourse Pkwy, Ste. 800
Atlanta, GA 30328
FCC ID: 2AF2O-ST5-10
Contient FCC ID: H8N-WLL6540

Déclaration de conformité aux normes d'Industrie Canada

Cet appareil est conforme aux normes CNR exemptes de licence d'Industrie Canada. Le fonctionnement est soumis aux deux conditions suivantes : (1) cet appareil ne doit pas provoquer d'interférences et (2) cet appareil doit accepter toute interférence, y compris celles susceptibles de provoquer un fonctionnement non souhaité de l'appareil.

Cet appareil numérique de la classe B est conforme à la norme NMB-003 d'Industrie Canada.

IC: 20700-ST510
Contient IC: 1353A-WLL6540

Exposition aux radiofréquences

Cet appareil est conforme à la norme CNR-102 d'Industrie Canada pour un environnement noncontrôlé. Cet appareil doit être installé et opéré à une distance minimale de 20cm entre le transmetteur et le corps humain. Cet appareil ne doit pas être co-localisé ou opéré avec une autre antenne ou un autre transmetteur.

Pg. 5 - Liste de pièces

Avant de jeter le matériel d'emballage - s'assurer que toutes les pièces soient comptabilisées.

Tous les produits électroniques et composants qui doivent être installés se trouvent dans des casiers sous la base ou fixés au châssis.

A) Télécommande sans fil et piles AAA (3)

- B) Barre de retenue de matelas*
- C) Pattes (4)
- D) Cordon d'alimentation
- E) Bloc d'alimentation
- F) Sangle de batterie de secours
- G) SmartSync™ corde†
- H) Sangle de raccordement
- I) Manuelle
- J) Garantie
- K) Guide d'installation rapide
- L) Guide d'installation rapide Divided King

Div. Pièces (non incluses) :

Protecteur de surtension des supports de tête de lit

Piles de 9 volts (2)

* Ces éléments sont attachés à la base aux fins d'expédition. Enlever de la base avec précaution et les mettre de côté.

† Inclus seulement avec les bases divisées Twin Long et Cal King avec bases divisées.. Pas inclus avec le King divisé.

Pg. 6 - Aperçu de base et à distance

(A partir de la boîte en haut à droite et continuant dans le sens horaire autour de l'image)

Sur la base:

Head Motor = Moteur de la tête

Battery Backup Strap = Sangle de batterie de secours

Foot Motor = Moteur du pied

Control Box = Boîte de contrôle

Télécommande filaire:

▲▼ S'élève et s'abaisse portion de la tête de la base.

▲▼ S'élève et s'abaisse portion du pied de la base.

- Position à plat
- I Position prédéfinie 1
- II Position prédéfinie 2
- Zero G** Position prédéfinie de gravité nulle

Pg. 7 - Guide de référence rapide

Pas à l'échelle. Pour des fins d'illustration uniquement. Lire toutes les instructions avant de commencer l'installation.

(A partir de la boîte en haut à droite et continuant dans le sens horaire autour de l'image)

Aperçue de la boîte de contrôle

Wired Remote Port = Éteindre Alimentation Port de la boîte

Power LED Light = Voyant

Input Cord Connection = Puissance d'entrée

Foot motor Port = Moteur du pied de connexion

Head Motor Port = Moteur de la tête de connexion

Pour déposer la boîte de commande, relâchez le clip métallique et débranchez les cordons.

Aperçu de l'électronique

(A partir de la boîte en haut à droite et continuant dans le sens horaire autour de l'image)

Head Motor = Moteur de la tête

Foot Motor = Moteur du pied

Control Box = Boîte de commande

Wireless Remote = Sans fil Télécommande

Input Power Cord = Corde d'entrée

Battery Backup Strap = Sangle de batterie de secours

Power Supply = Alimentation électrique

Power Cord = Cordon d'alimentation

Si vous installez une unité divisée (excluant la king divisée)- voir page 12-13..

Pg. 8 - Guide d'installation

Toujours faire appel à deux personnes lors de la configuration de la base.

Étape 1: Placez la boîte de la base du lit dans un emplacement de votre choix avec le fond de la boîte vers le haut.

Déposer les sangles de fixation et des matériaux d'emballage, en veillant à ne pas perforer la boîte avec des objets tranchants.

Étape 2: Enlever la base de lit de la boîte, puis faire en sorte que la partie inférieure de la base soit vers le haut.

Étape 3: Pour installer les pattes, vissez la rondelle au-dessus de la vis sur la patte. Ensuite, visser la patte dans l'insertion de l'écrou sur le châssis. Ne pas trop serrer. Les pattes 3-en-1 se détordent en sections séparées pour les options de hauteur de la patte.

Étape 4: Déroulez la boîte de désactivation du châssis et placez la boîte sur le sol. S'assurer qu'elle est aisément accessible lorsque la base est tournée à la position verticale.

Étape 5: Déroulez la corde d'entrée (connectée au port d'alimentation sur la boîte de contrôle) et branchez-la dans l'alimentation électrique. Pour service consommateurs, allez au site web www.ergomotion.com ou appelez le numéro vert : 1-888-550-3746

Étape 5: Déroulez le cordon d'entrée (connecté au port du boîtier de commande) et branchez-le dans l'alimentation électrique.

Étape 6: Déroulez le cordon d'alimentation et branchez-le dans l'alimentation électrique. Placez l'alimentation électrique par terre et rallongez-la de la base. Assurez-vous que l'alimentation électrique et tous les fils attachés se dirigent vers la multiprise.

Pour service consommateurs, allez au site web www.ergomotion.com ou appelez le numéro vert : 1-888-550-3746

Pg. 9 - Guide d'installation

Étape 7: Tournez soigneusement la base sur ses pattes. Important : Toujours faire appel à deux personnes lors de l'installation ou lorsque vous tournez la base Ne pas glisser sur le plancher. Ne laissez pas le châssis sur le côté, une pression excessive risque d'endommager les pattes.

Étape 8: Branchez le cordon d'alimentation à une source d'alimentation. Un protecteur de surtension est fortement recommandé.

Étape 9: S'assurer que les piles sont correctement installées dans l'arrière de la télécommande.

Tester rapidement des fonctions à distance afin de vérifier la configuration avant de placer le matelas sur la base. Appuyez sur PLAT pour retourner la base à sa position à plat.

Étape 10: Faites glisser le côté gauche de la barre de retenue du matelas dans le support. Tirez la barre de retenue vers l'autre support et fixez le côté droit.

L'installation Élémentaire Est Complète.

Pour contacter l'assistance clientèle, visitez ergomotion.com ou appelez le : 1-888-550-3746

Pg. 10-11 - télécommande

Trois (3) piles AAA sont nécessaires pour faire fonctionner la télécommande.


Télécommande filaire:

- Le massage de la tête
- Le massage des pieds
- Le bouton Minuterie de massage permet de parcourir 3 niveaux d'intensité de massage.

▲ ▼ S'élève et s'abaisse portion de la tête de la base.

▲ ▼ S'élève et s'abaisse portion du pied de la base.

ZERO G préréglage zéro gravité

 éclairage sous le lit

I position reprogrammable #1

 Position anti-ronflement

II position reprogrammable #1

— Position à plat

Pg. 12 - Télécommande - programmation préréglée

1. Articuler la tête et le pied à la position désirée.

2. Appuyez sur l'un des boutons de préréglage et maintenez-le enfoncé [I et II] pendant 7 secondes. La position est maintenant enregistrée.

Remarque: Pour rétablir les réglages d'usine des boutons de préréglage, maintenez FLAT et ZERO-G enfoncés simultanément pendant au moins 10 secondes. Les préréglages d'origine seront restaurés.

Pg. 13 - Jumelage de la télécommande

La télécommande d'origine qui est livrée avec l'assemblage est déjà couplée à la base de lit.

Aucune action supplémentaire n'est requise.

Si la télécommande n'est pas couplée à la base, suivez les étapes ci-dessous.

Étape 1: Retirer le couvercle arrière de la télécommande. Retirez et remplacez les piles.

Étape 2: Cliquez deux fois sur le bouton de la Sangle de batterie de secours (la

base ne bougera pas lors de cette évolution). Le témoin s'allume.

Étape 3: Appuyez sur le bouton à l'arrière de la télécommande et le maintenir enfoncé. Le voyant commence à clignoter pour ensuite devenir constant.

Étape 4: Les deux voyants sur la Sangle de batterie de secours et la télécommande seront constants, puis s'éteint en même temps. Replacer le couvercle arrière de la télécommande.

La télécommande est maintenant jumelée avec la base.

Si la Sangle de batterie de secours n'est pas disponible - appuyez sur le bouton de réinitialisation situé sur le boîtier de commande. Le voyant d'appariement sur le boîtier de commande s'illuminera. Appuyez et maintenez enfoncée le bouton de l'arrière de la télécommande, le bouton clignotera immédiatement. Les deux voyants seront alors constants et s'éteindront en même temps.

Pg.14 - La synchronisation des deux bases (facultatif)

Un cordon de synchronisation est inclus avec la base. Non disponible pour les bases de grandeur Queen, pleine, de taille entière ou pour les bases King divisées. Le cordon de synchronisation relie les deux boîtes de commande à une seule télécommande pour la synchronisation des deux bases.

ÉTAPE 1: Débranchez les bases de la source d'alimentation.

ÉTAPE 2: Débrancher le câble de la Sangle de batterie de secours ou du câble séparateur. Notez l'endroit où le câble était branché.

ÉTAPE 3: Connectez l'extrémité mâle de chaque cordon de synchronisation du boîtier de commande ou du répartiteur câble. L'insérer dans le même port que vous avez précédemment débranché l'alimentation de la Sangle de batterie de secours de l'étape 2.

ÉTAPE 4: Connectez chaque connexion mâle de la Sangle de batterie de secours au raccord femelle du cordon de synchronisation (reportez-vous à l'illustration ci-dessous).

ÉTAPE 5: Branchez les bases à la source d'alimentation.

ÉTAPE 6: Vérifiez que tous les câbles sont bien connectés. Les deux télécommandes feront fonctionner désormais deux bases simultanément.

Notes de représentation: Si des bases sont interchangées, l'activation du bouton PLAT resynchronisera les positions mécaniques.

Le système est maintenant joint. Les Boutons pressés sur n'importe quel contrôle dirigera les deux bases simultanément.

Pg. 15 - Bluetooth®

1. Branchez le lit dans l'alimentation électrique.
2. Sélectionnez l'icône du menu.
3. Sélectionnez Bluetooth®
4. Sélectionnez Select Device
5. Sélectionnez la base souhaitée. Appuyez sur la flèche arrière pour revenir aux paramètres et sélectionnez Distant pour revenir à l'écran de la télécommande.

Pg. 16- Sangle de batterie de secours

Placez le bloc dans un emplacement accessible sous le lit pour les cas d'urgence. Deux (2) piles 9-volt sont nécessaires pour faire fonctionner la fonction de mise hors tension et ne sont pas inclus.

Aperçue

Lorsque la base est bloquée dans une position articulée pendant une panne d'alimentation- La Sangle de batterie de secours retournera la base à la position PLATE.

Les piles ne doivent pas être utilisées pour l'exploitation normale de la base.

ÉTAPE 1: Installer les piles 9 volts offertes dans la boîte d'alimentation. Ne pas mélanger les marques de pile.

ÉTAPE 2: Appuyez et maintenez le bouton de la mise hors tension pour abaisser la base à la position à plat.

Pg. 17 - Sangle de raccordement (facultatif)

Le Sangle de Bateria de secours est un accessoire en option. Pour acheter, veuillez contacter votre revendeur.(4) Des piles de 9 volts sont nécessaires pour faire fonctionner la fonction de mise hors tension et ne sont PAS incluses.

Placez la boîte de sauvegarde de la batterie dans un endroit pratique. Pour une utilisation d'urgence uniquement, en cas de panne de courant. Si la base est coincée dans une position articulée pendant une panne de courant, le boîtier de secours de la batterie ramènera la base à une position plate. Les piles ne doivent pas être utilisées pour le fonctionnement normal de la base. Retirez le boîtier de batterie une fois l'urgence terminée, car le système continuera à être alimenté par les batteries, même s'il n'est pas utilisé.

ÉTAPE 1: Débranchez l'alimentation du cordon d'alimentation d'entrée.

ÉTAPE 2: Connectez la sangle de secours de la batterie aux (2) piles alcalines de 9 volts.

Ne mélangez pas les piles de marque.

Connectez l'extrémité de la sangle de sauvegarde de la batterie au cordon d'alimentation d'entrée connecté au boîtier de commande.

Remarque: Détachez la sangle de secours de la batterie une fois l'urgence terminée, car le système continuera à être alimenté par les batteries, même s'il n'est pas utilisé.

Pg. 18- Guide d'installation des fixations de la tête de lit

Les fixations de la tête de lit sont des accessoires optionnels et ne sont pas incluses. Une clé à douilles de 9/16" + une clé à molette de 1/2" sont nécessaires pour compléter l'installation.

ÉTAPE 1:

a.) Alignez le trou dans la fixation avec la douille en laiton dans laquelle se visse la patte de lit. Maintenez la fixation en place et vissez la patte dans la base jusqu'à ce qu'elle soit bien serrée. **NE VISSEZ PAS TROP FORTEMENT**, car la patte de lit pourrait tourner à vide.

b.) Alignez la pièce avec le trou dans le cadre (situé vers le pied de la base) et utilisez un boulon court et un écrou pour sécuriser la fixation. Assurez-vous que le boulon est bien serré.

ÉTAPE 2: Attachez l'espaceur en plastique et la fixation en T

a.) Mesurez la distance entre les trous de montage sur la tête de lit et installez l'espaceur et la plaque de fixation pour accueillir la tête de lit.

b.) Pour installer l'espaceur en plastique et la plaque de fixation, vous avez besoin de deux (2) boulons longs et deux (2) écrous. Placez l'espaceur et la plaque de fixation à l'endroit désiré et glissez les boulons dans les trous, tête orientée vers l'extérieur. Positionnez les boulons en diagonale sur l'espaceur. Utilisez la clé à douilles de 9/16" ainsi que la clé à molette pour serrer les boulons.

ÉTAPE 3: Vous pouvez maintenant assembler votre tête de lit et la plaque de fixation à l'aide des boulons courts et des écrous restants afin de la relier aux fixations. Les têtes de boulons seront orientées vers l'extérieur. Utilisez une clé à douilles de 9/16" et une clé à molette de 1/2" pour serrer les boulons.

Pg. 19- Dépannage

Si une ou plusieurs fonctions sur la base de lit ont cessé de fonctionner:

Vérifier sous la base de lit pour vérifier que les connexions filaires sont sécurisées et qu'il n'y a pas de cordons ou de la literie qui entrave le mouvement de la base.

Vérifiez que le voyant DEL vert est allumé sur le bloc d'alimentation. (Si aucun voyant ne s'allume), vérifiez que l'entrée et que les cordons d'alimentation sont correctement connectés.

Débranchez la base pendant 1 heure pour réinitialiser les composants électroniques.

Branchez la base du lit sur une prise électrique différente, ou vérifiez le courant de la prise avec un autre appareil qui fonctionne (protecteur de surtension électrique mise à la terre est recommandé).

Retirez et remplacez les piles dans la télécommande et accouplez la télécommande à la base (voir page 11).

Si le problème n'est pas résolu en suivant les instructions ci-dessus, notez le numéro de série sur la carte de garantie ou à l'arrière du contrôle à distance et contactez-le

Pour service consommateurs, allez au site web www.ergomotion.com ou appelez le numero: 1-888-550-3746

US Customer Service

Phone US 1-888-550-3746
Fax US 1-805-979-9399
Email info@ergomotion.com
Web www.ergomotion.com

©2017 Ergomotion Inc
V001_R03 10/2018
35007100

Serial Number:

+

+

+

+